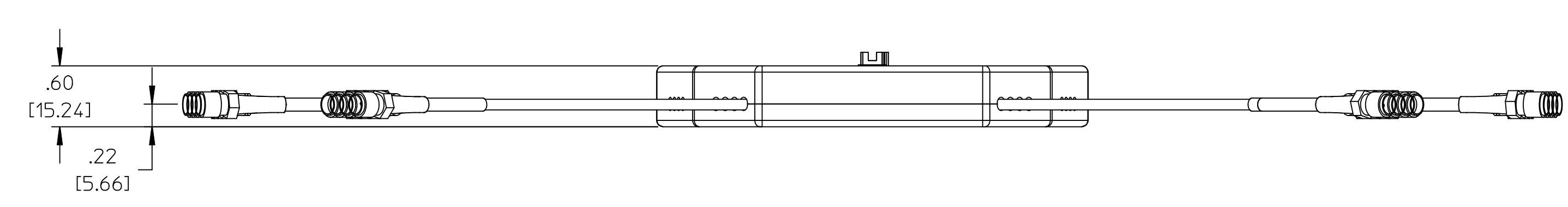
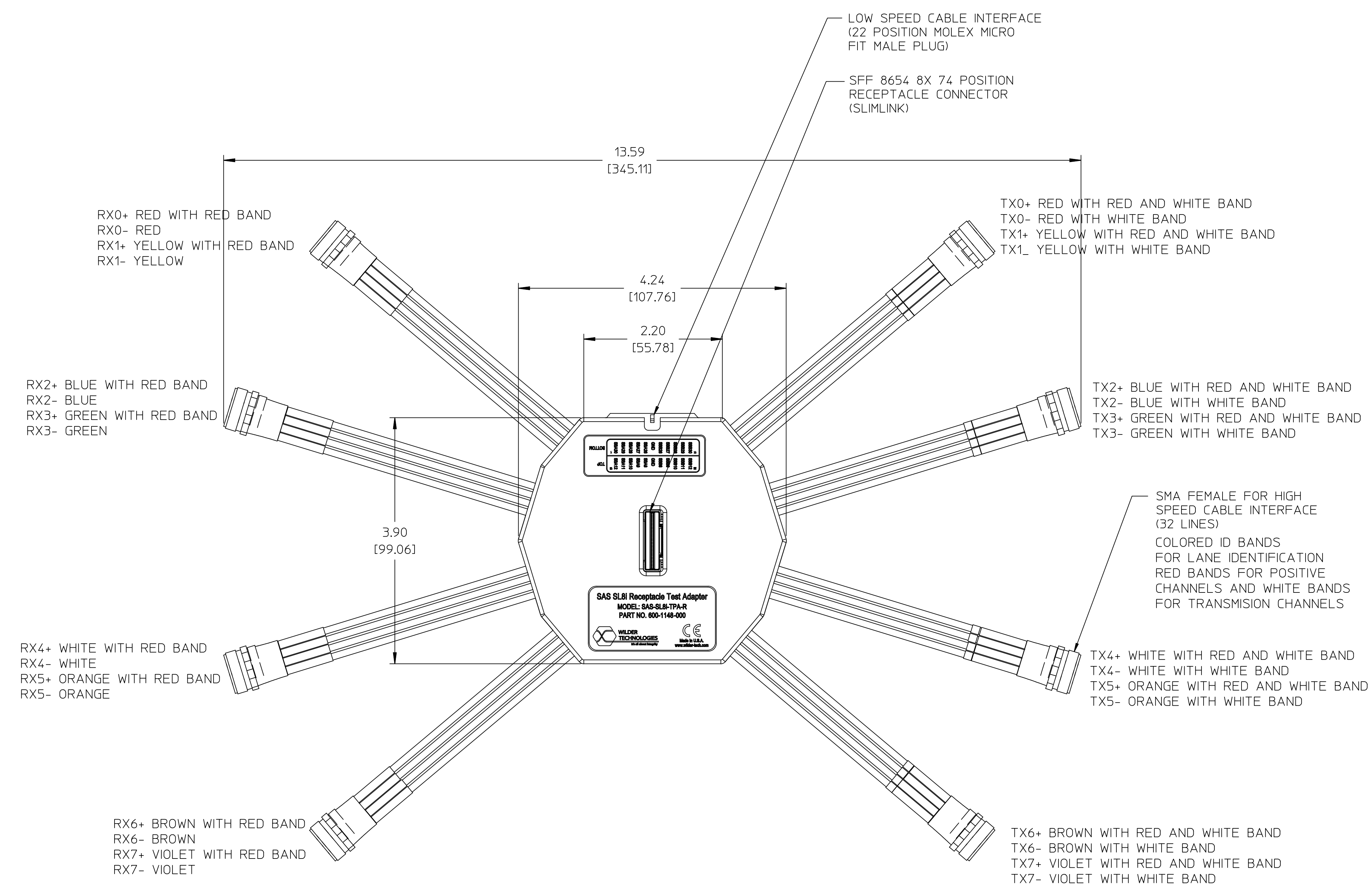


THIS DOCUMENT CONTAINS PROPRIETARY INFORMATION AND IS THE PROPERTY OF WILDER TECHNOLOGIES. THIS INFORMATION SHALL NOT BE REPRODUCED, TRANSFERRED TO OTHER DOCUMENTS, DISCLOSED TO OTHERS FOR MANUFACTURING OR ANY OTHER PURPOSE WITHOUT WRITTEN PERMISSION FROM WILDER TECHNOLOGIES.

REVISIONS				
REV	AUTH	DESCRIPTION	APVD DATE	CHK DATE
A	ECNXXXX	PRELIMINARY RELEASE		8/14/17



- NOTE: UNLESS OTHERWISE SPECIFIED
1. INTERPRET DIMENSIONS AND TOLERANCES PER ANSI Y14.5.
 2. FOR DETAILED MECHANICAL AND ELECTRICAL SPECIFICATIONS REFER TO USERS MANUAL 910-00XX-000.
 3. THIS TEST ADAPTER IS SUPPLIED WITH A SEPARATE 22 POSITION RECEPTACLE AND RECEPTACLE PINS TO ALLOW USERS TO CONNECT TO THIS ASSEMBLY.

UNLESS OTHERWISE SPECIFIED DIMENSIONS ARE INCHES [METRIC]		6101A East 18th St Vancouver, WA 98661 Tel 360-859-3041 Fax 360-859-3105 www.wildertechn.com	
XXX + .005 + .127 +	XX + .01 + .25 +	DRAWN BY: W. STANLEY	DATE: 8/14/17
X + .12 + .3 +	ANGLE + 1° + 1°	CHECKED BY:	DATE:
MATERIAL:	APPROVED BY:	DESCRIPTION: REFERENCE DRAWING, FINAL ASSEMBLY, SLIMLINK 8i, 74 PIN RECEPTACLE	
FINISH:	SIZE PART NUMBER: D 600-1148-000	REV A	
SCALE: 1:1		DO NOT SCALE DRAWING SHEET 3 OF 3	