



REFERENCE DESIGN GUIDE

SMPM Adapter Pinout

For Embedded DisplayPort Remote Sampling Head

C SERIES



© Introspect Technology, 2023
Published in Canada on October 30, 2023
MK-G017E-E-23303

INTROSPECT.CA

Table of Contents

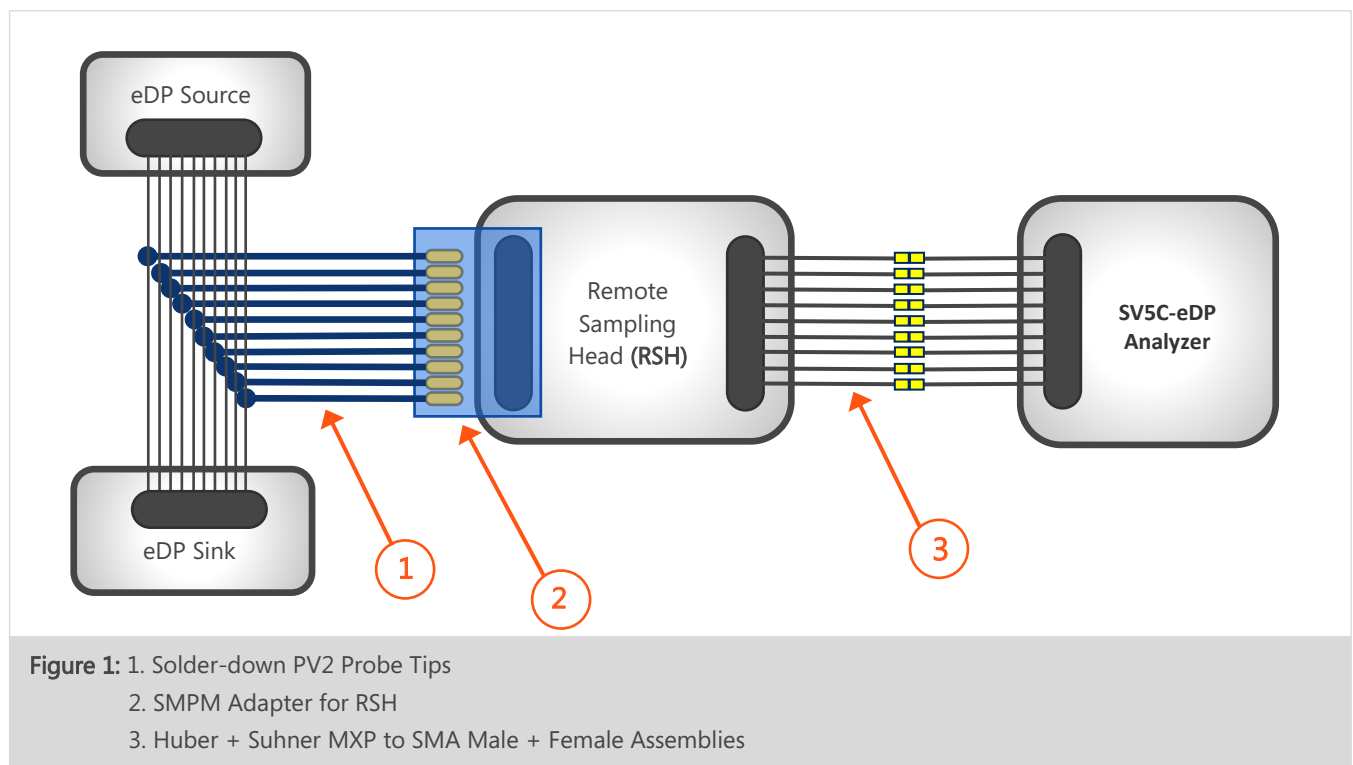
Introduction.....	3
SMPM / RSH / eDP Test Configuration.....	3
Example SMPM / RSH Test Configuration.....	4
SMPM and SV5C-RSH Pin Mapping.....	5

Introduction

OVERVIEW

The SMPM Adapter for the Remote Sampling Head is a solution that allows customers to probe already assembled boards. It mates to standard solder-down probe tips, and this means that there is no need for a dedicated interposer with a board-to-board connector.

SMPM / RSH / eDP Test Configuration



Example SMPM / RSH Test Configuration

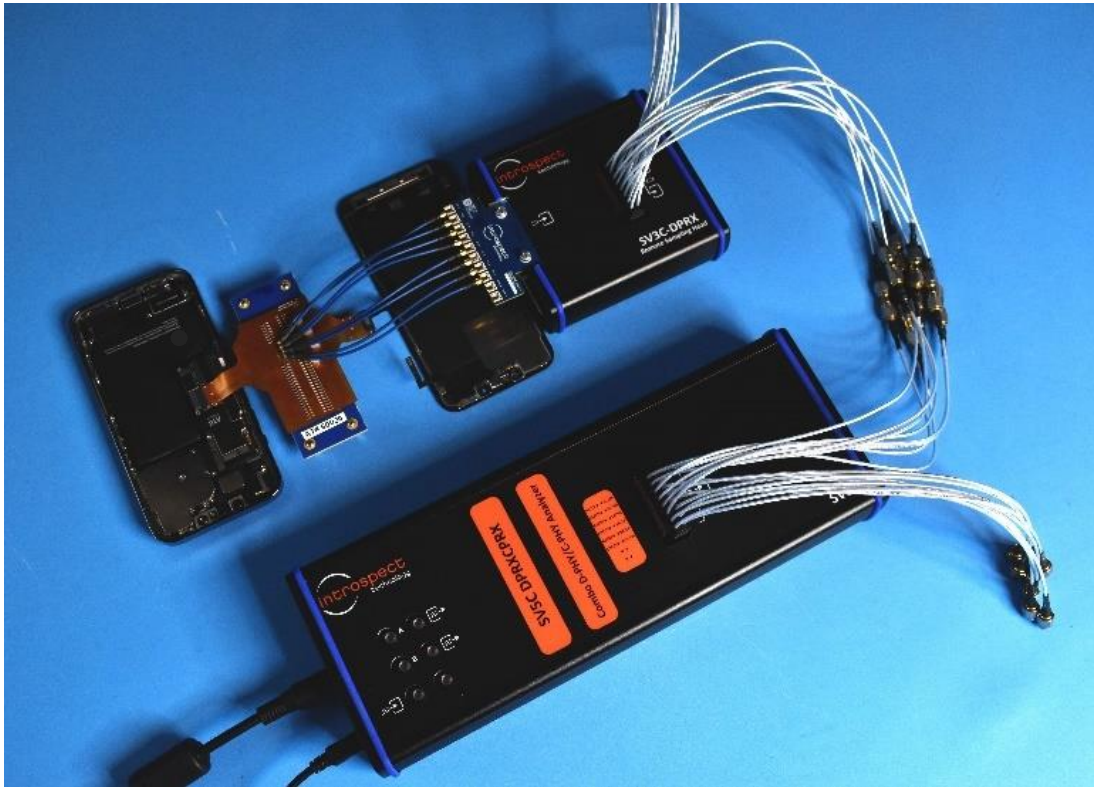
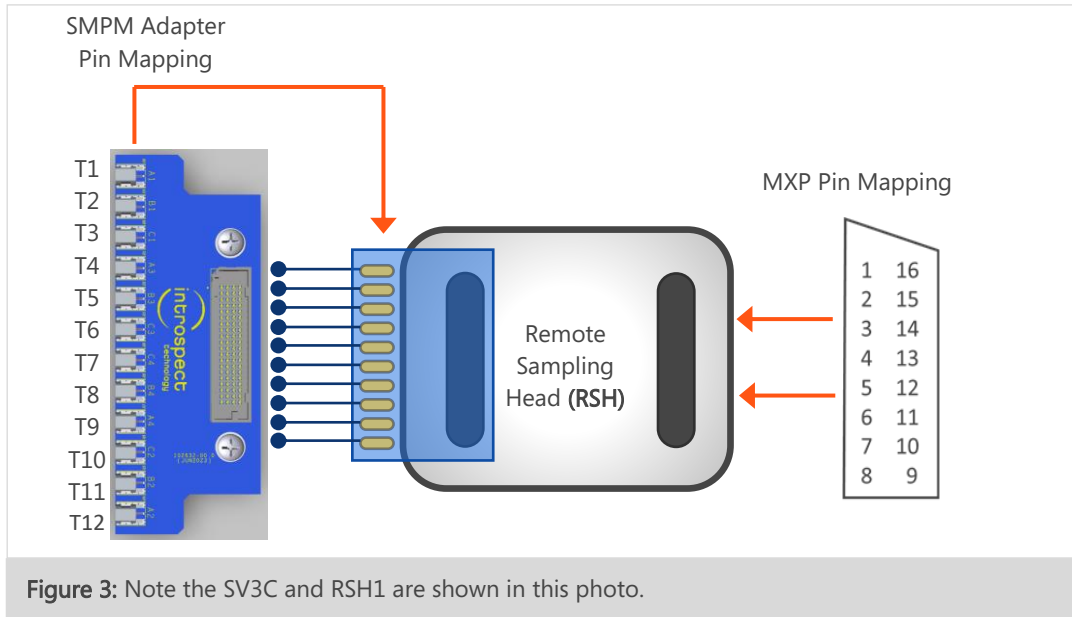


Figure 2: Note the SV3C and RSH1 are shown in this photo.

SMPM and SV5C-RSH Pin Mapping



SMPM PIN		SV5C-RSH MXP PIN
T1	→	1
T2		2
T3		3
T12		16
T11	→	15
T10		14
T4		4
T5		5
T6	→	6
T9		13
T8		12
T7		11

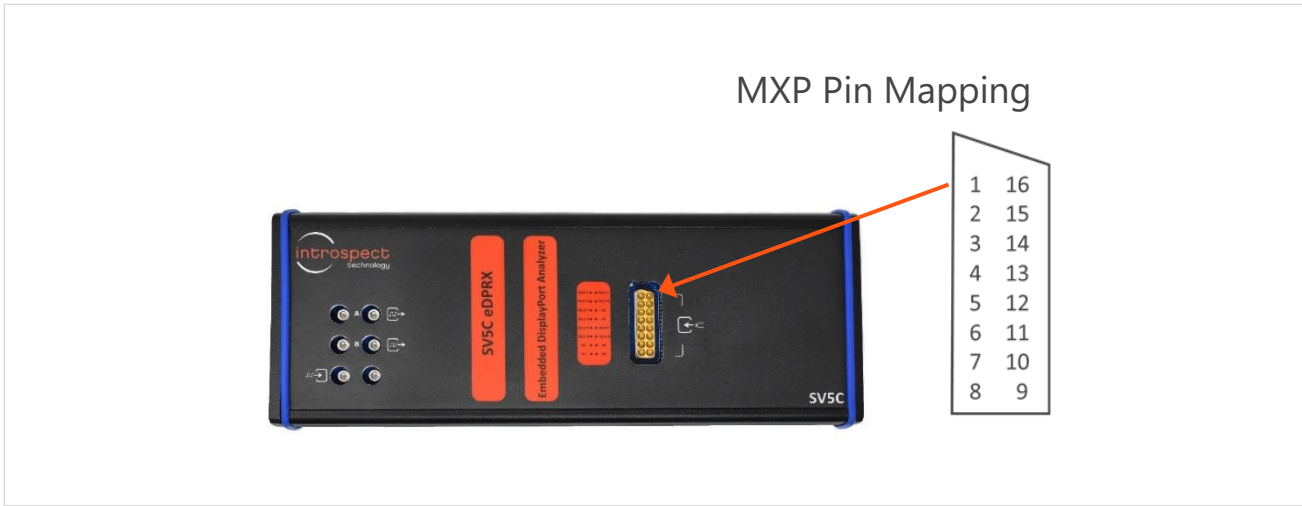


Figure 4: Note the SV3C and RSH1 are shown in this photo.

SV5C-EDP MXP PIN		EDP SIGNAL
1	➔	Auxiliary Channel P
2		Auxiliary Channel N
3		Main Link 1P
4		Main Link 1N
5	➔	Main Link 2P
6		Main Link 2N
16		Main Link 3P
15		Main Link 3N
12	➔	Main Link 4P
11		Main Link 4N



REVISION NUMBER	HISTORY	DATE
1.0	Document Release	October 30, 2023

The information in this document is subject to change without notice and should not be construed as a commitment by Introspect Technology. While reasonable precautions have been taken, Introspect Technology assumes no responsibility for any errors that may appear in this document.



© Introspect Technology, 2023
Published in Canada on October 30, 2023
MK-G017E-E-23303

INTROSPECT.CA