

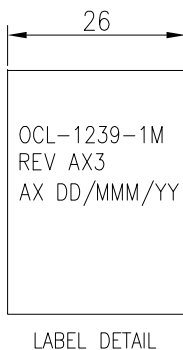
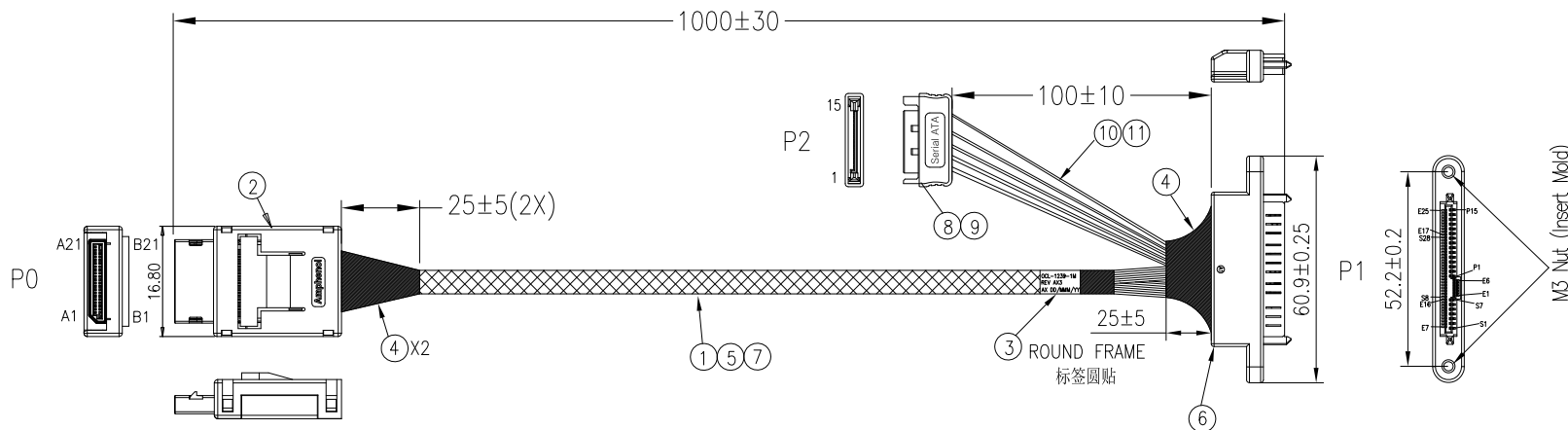
The marking on this product doesn't contain environmental hazardous materials per directive 2011/65/EU for RoHS compliance.

NOTE:

1. THE CABLE ASSEMBLY SHOULD BE RoHS2.0 COMPLIANT.
该产品通过RoHS2.0认证。
2. ELECTRICAL AND MECHANICAL PERFORMANCE SHOULD MEET THE PCIE GEN4 INDUSTRIAL STANDARD.
电气特性遵循PCIE GEN4工业标准。
3. THE CABLE ASSEMBLY SHALL MEET BELOW IMPEDANCE REQUIREMENT:
TERMINATION AREA: 85±15% OHMS, CABLE ABSOLUTE AREA: 85±10% OHMS.
该产品满足下面阻抗特性：接触区域85±15%欧姆，线材为85±10%欧姆。

REVISIONS

ECN NO.	REV.	DESCRIPTIONS	CHECKED	APPROVED	DATE
REL.	AX1	INITIAL RELEASE	JUSTIN	KASUN	11/09/2017
	AX2	CHANGE SAS CABLE	JIESS	KASUN	04/03/2018
	AX3	CHANGE WIRING DIAGRAM	JIESS	KASUN	05/16/2018



11	R10070240X	WIRE,24AWG,UL1007,STRAND ED	A/R
10	R10070180X	WIRE:18AWG,41C,UL1007	A/R
9	RMRPV45101	PVC,45P,V1,BLACK	A/R
8	10115M02	SATA CONN:15P,M,BRS,G/F,LCP,V0,BLK	1
7	H03302300X	WIRE,30AWG,UL3302, 7/0.10,OD0.55,FR-XLPE,VW-1,NO MARKING,HF	A/R
6	AST8639-001	8639 PCIE 68POS CONN,STR,BLACK,Au15u	1
5	HMTBD05005	EXPANDO TUB:OD=5MM,PET,GREEN,SINGLE(OD5~11MM),HF	A/R
4	HMMTP00012	ACETATE TAPE:W=1INCH,HF	A/R
3	HMLSB57262	LABEL:57*26MM,BLANK	1
2	OCL42-0003	Minilink,42POS,CONNECTOR, STR WITH ACTIVE LATCH	1
1	HWSS320020	SAS CBL:UL20744,32#2C+2C+A+HM,BLU,85Ω,VW-1,HF,24G	A/R
ITEM	VENDOR P/N	DESCRIPTION	QTY

This drawing is the property of Serial Cables and is delivered on the express condition that it is not to be disclosed, reproduced or used, in whole or in part, for manufacture or sale by anyone other than Serial Cables without its prior consent, and that no right is granted to disclose or use any information in this drawing.

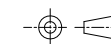
GENERAL TOLERANCES

.X:	± 0.5
.XX:	± 0.3
.XXX:	
ANGULAR:	± 2'

DRAWN:	NATHAN CAO	DATE:	05/16/2018
CHECKED:	JIESS HUANG	DATE:	05/16/2018
APPROVED:	KASUN LI	DATE:	05/16/2018

TITLE:
SC P/N:OCL-1239-1M
OCULINK TO 8639+SATA 15P

DWG. No.: RML42-0835



SCALE: NONE

SHEET 1 OF 2

UNIT: MM

SIZE: A4

REV.: AX3

The marking on this product doesn't contain environmental hazardous materials per directive 2011/65/EU for RoHS compliance.

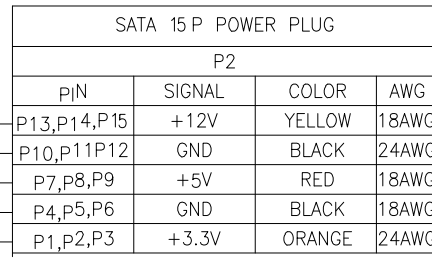
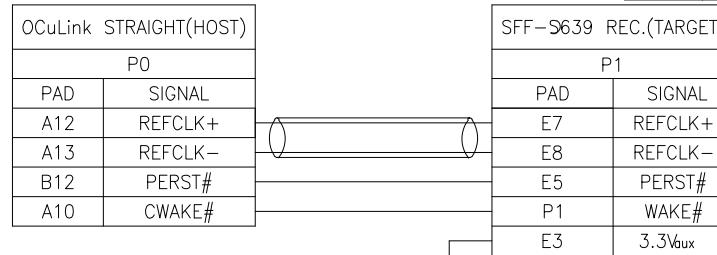
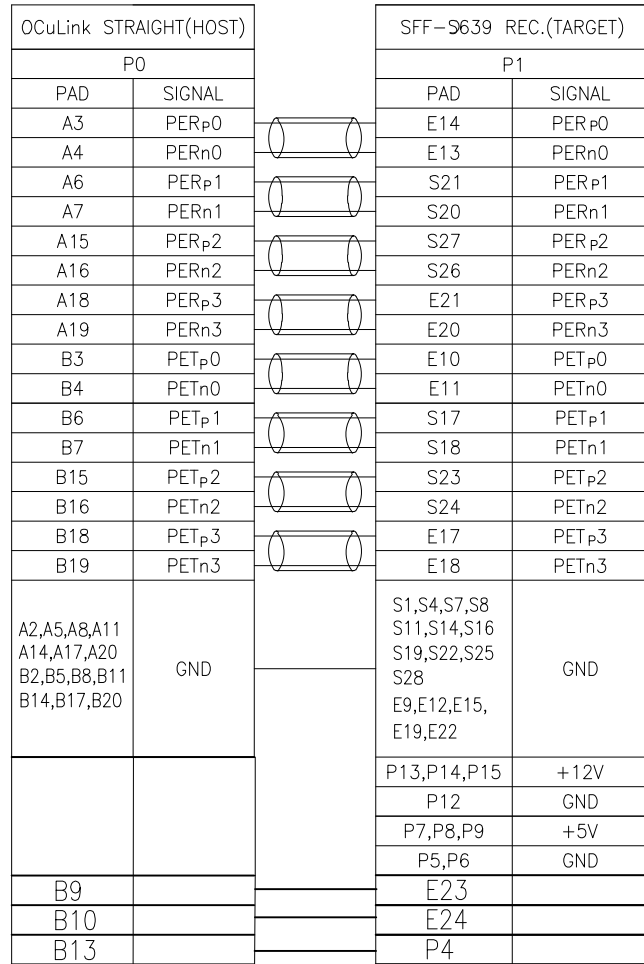
REVISIONS

ECN NO.	REV.	DESCRIPTIONS	CHECKED	APPROVED	DATE
REL.	AX1	INITIAL RELEASE	JUSTIN	KASUN	11/09/2017
	AX2	CHANGE SAS CABLE	JIESS	KASUN	04/03/2018
	AX3	CHANGE WIRING DIAGRAM	JIESS	KASUN	05/16/2018

WIRING DIAGRAM

HIGH SPEED SIGNAL

LOW SPEED SIGNAL & POWER



This drawing is the property of Serial Cables and is delivered on the express condition that it is not to be disclosed, reproduced or used, in whole or in part, for manufacture or sale by anyone other than Serial Cables without its prior consent, and that no right is granted to disclose or use any information in this drawing.

GENERAL TOLERANCES	
.x:	± 0.5
.xx:	± 0.3
.xxx:	
ANGULAR:	± 2'

DRAWN:	NATHAN CAO	DATE:	05/16/2018
CHECKED:	JIESS HUANG	DATE:	05/16/2018
APPROVED:	KASUN LI	DATE:	05/16/2018

TITLE:		
SC P/N:OCL-1239-1M OCULINK TO 8639+SATA 15P		
DWG. No.: RML42-0835		
SCALE: NONE	SHEET 2 OF 2	
UNIT: MM	SIZE: A4	REV.: AX3

