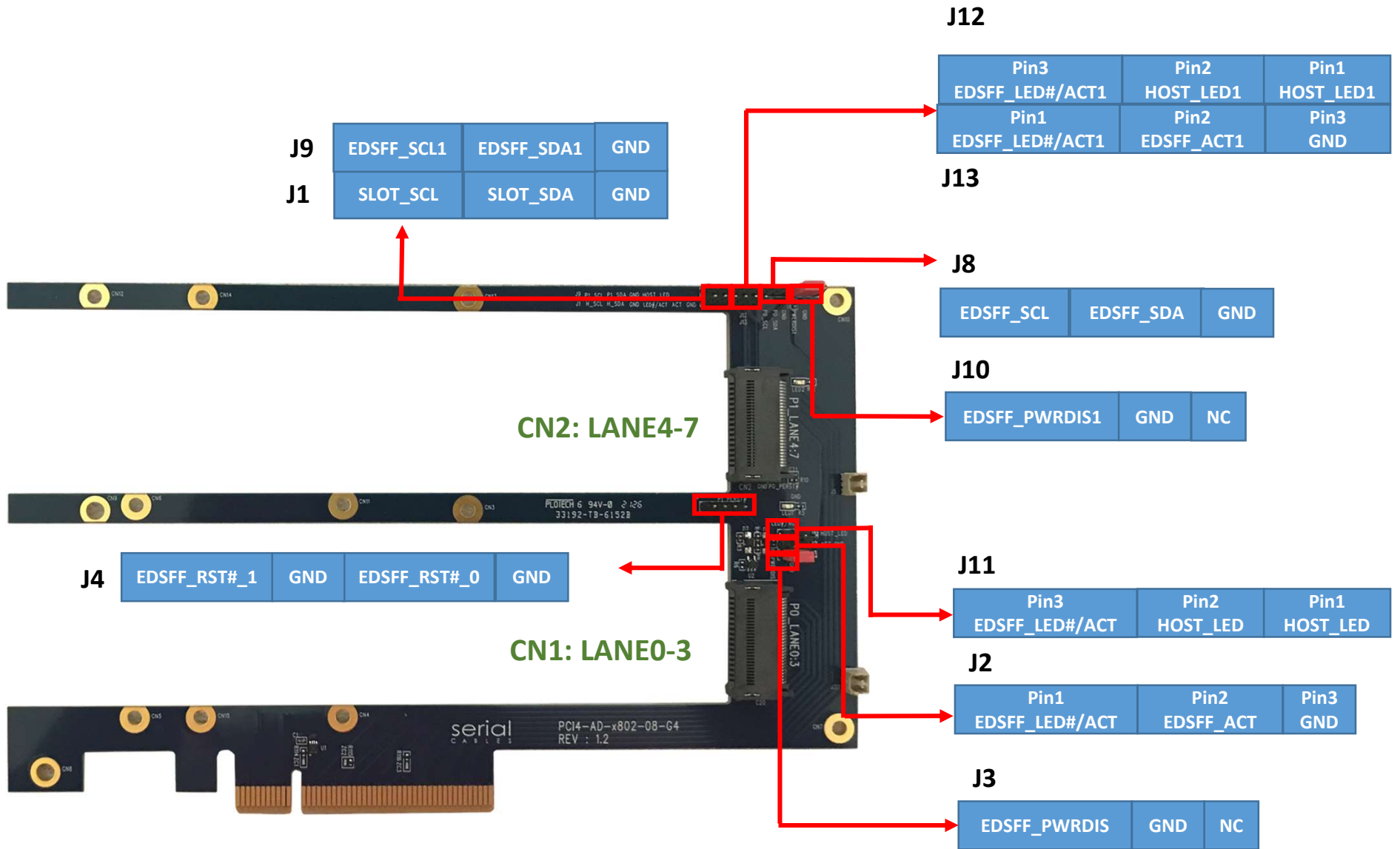




serial
C A B L E S

PCIe Gen4 X8 Slot To EDSFFs Adapter Card

P/N: PCI4-AD-x802-08-G4 REV1.2





EDSFF LED/ACTIVITY

- ◆ The LED signal is asserted by the host to drive an amber LED on the device
 J11 Pin2 and 3 ON, then have host control signal sending from J11 Pin1
 J12 Pin2 and 3 ON, then have host control signal sending from J12 Pin1
- ◆ The ACTIVITY signal is asserted by the device to indicate SSD activity
 J2 Pin1 and 2 ON, activity LED control by EDSFF drive.
 J13 Pin1 and 2 ON, activity LED control by EDSFF drive.

J11

Pin3	Pin2	Pin1
EDSFF_LED#/ACT	HOST_LED	HOST_LED

J12

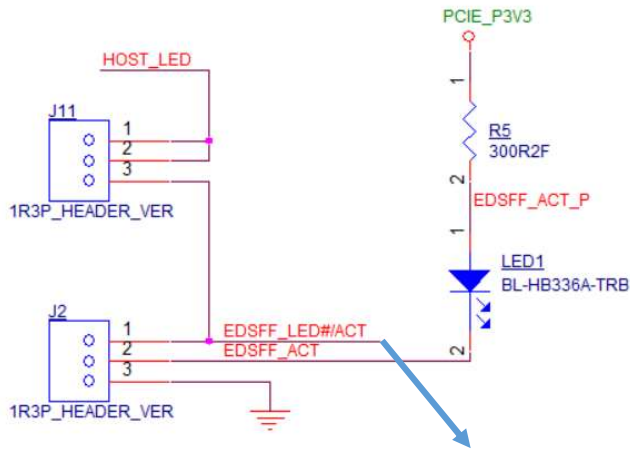
Pin3	Pin2	Pin1
EDSFF_LED#/ACT1	HOST_LED1	HOST_LED1

J2

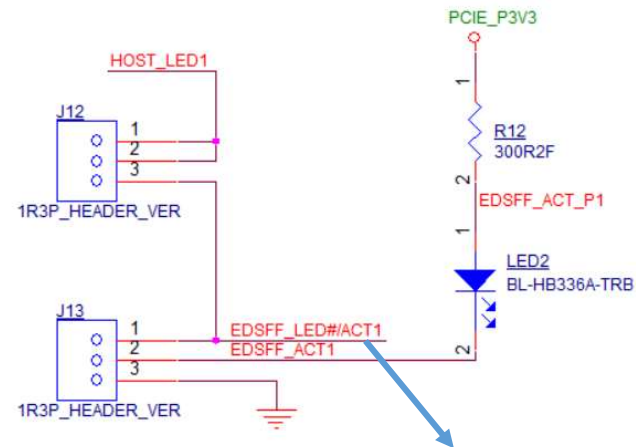
Pin1	Pin2	Pin3
EDSFF_LED#/ACT	EDSFF_ACT	GND

J13

Pin1	Pin2	Pin3
EDSFF_LED#/ACT1	EDSFF_ACT1	GND



Connect to CN1_EDSFF Pin_A10



Connect to CN2_EDSFF Pin_A10