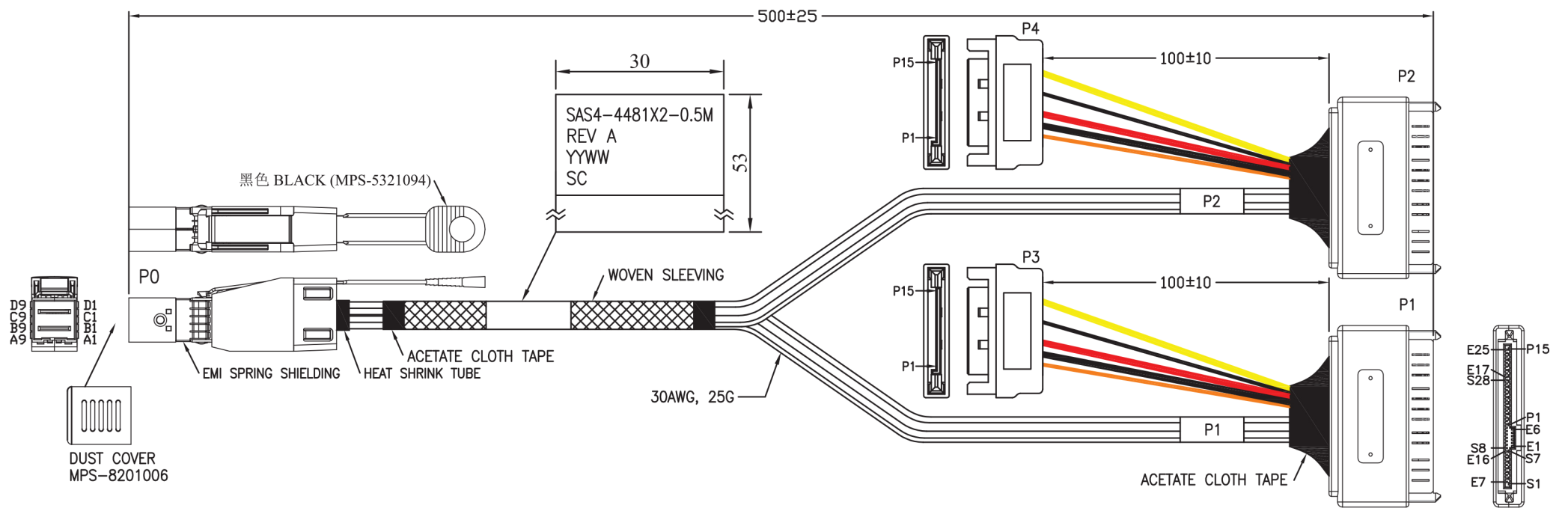


REV.	REMARK	DATE	SIGN.

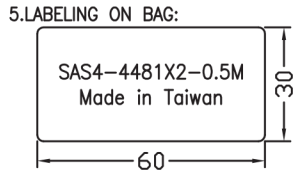
RoHS



**MATERIAL RoHS COMPLIANT:**

1.CABLE:  
 CONDUCTOR: 30AWG SOLID SILVER PLATED COPPER.  
 INSULATION: FOAM POLYOLEFIN.  
 PAIR: 2 SINGLES LAID FLAT AND PARALLEL.  
 DRAIN WIRE: 30AWG SOLID SILVER PLATED COPPER.  
 PAIR SHIELD: METALLIC TAPE  
 INNER SHIELD: ALUMINUM/POLYESTER TAPE,  
 ALUMINUM SIDE FACING OUT, 25% OVERLAP.  
 DIFFERENTIAL IMPEDANCE: 100±5 Ohms @TDR  
 UL LISTING: TYPE CL2 AS SPECIFIED IN ARTICLE 725  
 OF THE NATIONAL ELECTRICAL CODE.  
 RoHS II MATERIAL COMPLIANCE

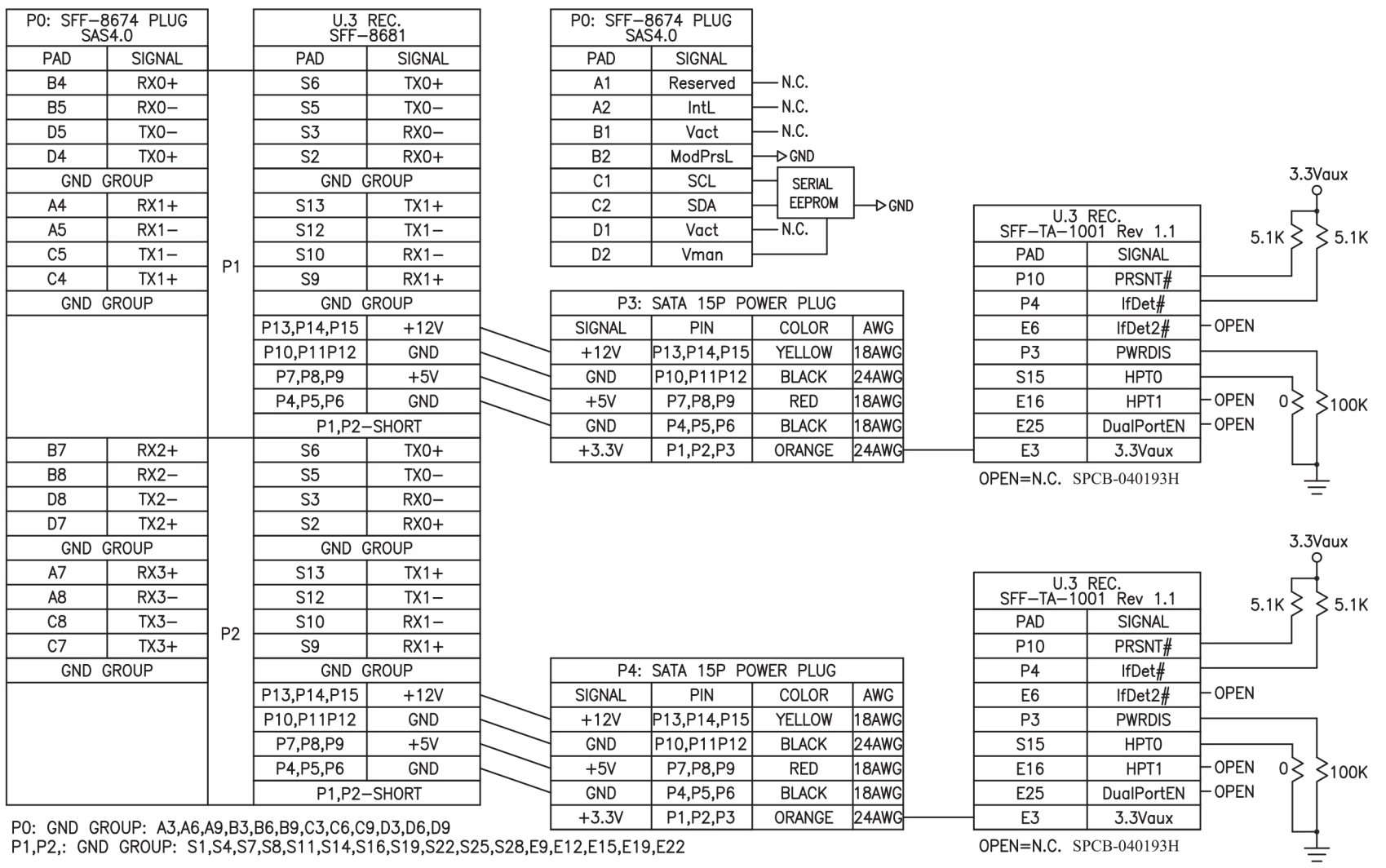
2.CONNECTOR:  
 P0: Mini SAS HD 4x CABLE PLUG.(SFF-8674)  
 (1) P.C.B: 4 LAYERS, GOLD PLATING ON CONTACT PADS (P/N: SPCB-040167C / SPCB-040168A)  
 (2) LATCH: STAINLESS STEEL  
 (3) BACKSHELL: ZINC DIE CASTING HOOD/ NICKEL PLATING  
 (4) PULL TAB: NYLON UL94V-0, COLOR: BLACK.(MPS-5321094)  
 (5) EMI SPRING SHIELDING  
 P1,P2: U.3 CONNECTOR.(SFF-8681)  
 (1) P.C.B: 4 LAYERS, GOLD PLATING ON CONTACT PADS.(P/N: SPCB-040193H)  
 (2) HOUSING: ABS, BLACK.  
 (3) WITHOUT EARS NOR SCREWS.  
 P3,P4: SATA 15P POWER PLUG  
 (1) POWER CABLE: UL 1007 18AWG\*3 80°C 300V  
 (2) POWER CABLE: UL 1007 24AWG\*2 80°C 300V  
 3.FOR SAS4.0 USE.  
 4.TWO-WIRED SERIAL MEMORY: ATMEL AT24C02D EEPROM (256 BYTES).



DESC.	Mini SAS HD 4x TO SFF-8681 REC. WITH POWER CABLE ASS'Y-SAS4.0	APPROVED	CHECKED	DESIGNED	TOLERANCE	SCALE	*	UNIT	mm	
P/N	B-7176	CUSTOMER P/N	SAS4-4481X2-0.5M	Sino		DATE	08/20/'20	DWG NO:	DWG\B\7176	

1	2	3	4	5	6	7	8	9
REV.	REMARK	DATE	SIGN.					

WIRING DIAGRAM



DESC.	Mini SAS HD 4x TO SFF-8681 REC. WITH POWER CABLE ASS'Y-SAS4.0	APPROVED	CHECKED	DESIGNED	TOLERANCE	SCALE	*	UNIT	mm	
P/N	B-7176	CUSTOMER P/N	SAS4-4481X2-0.5M		Sino	DATE	08/20/20	DWG NO:	DWG\B\7176	