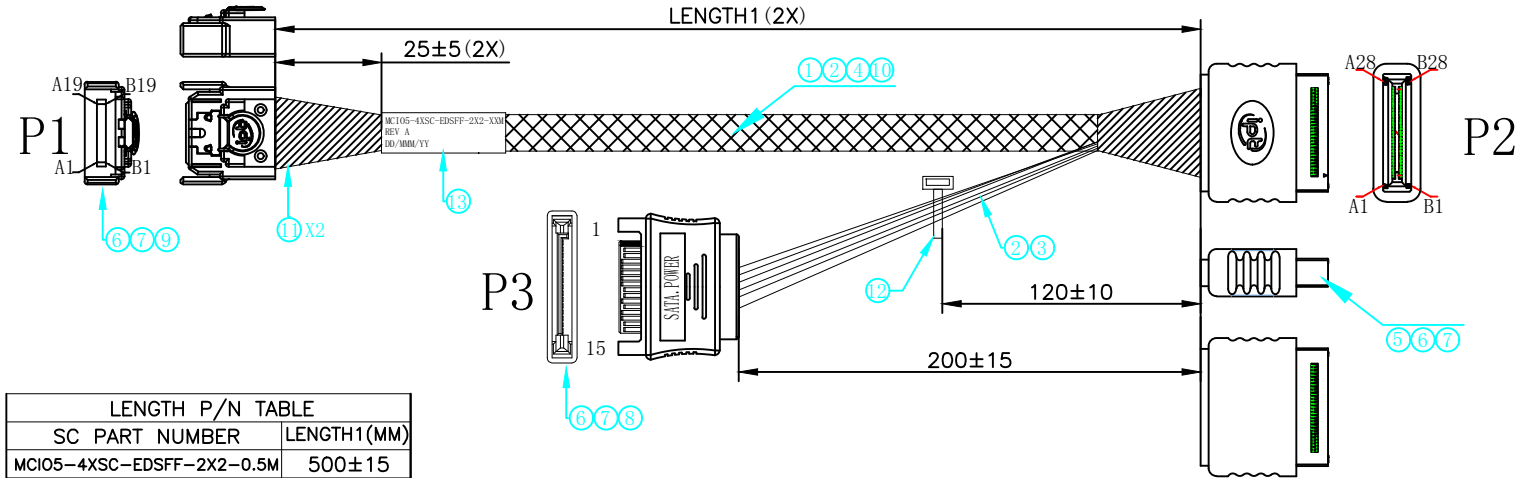


5	6	7	8
DATE	DESCRIPTION OF CHANGE		REV
2021-08-28	XXXXX		A

WIRE DIAGRAM

P1		P2	
GND	A1	A19	GND
PERP0	A2	A18	PERP0
PERNO	A3	A17	PERN0
GND	A4	A16/A22	GND
PERP1	A5	A21	PERP1
PERN1	A6	A20	PERN1
GND	A7	A19/B16	GND
CLK 0 P	A8	B15	RefClk0+
CLK 0 N	A9	B14	RefClk0-
ATLAS_SCL	A11	A7	SMClk
ATLAS_SDA	A12	A8	SMDat
GND	A13	A25	GND
PERP2	A14	A24	PERP2
PERN2	A15	A23	PERN2
GND	A16	A22/A28	GND
PERP3	A17	A27	PERP3
PERN3	A18	A26	PERN3
GND	A19	A25	GND
GND	B1	B19	GND
PETP0	B2	B18	PETP0
PETN0	B3	B17	PETN0
GND	B4	B16/B22	GND
PETP1	B5	B21	PETP1
PETN1	B6	B20	PETN1
GND	B7	B19/A16	GND
CLK 1 N	B8	A14	RefClk1-
CLK 1 P	B9	A15	RefClk1+
PERST# 0	B11	B10	ePerst0#
PERST# 1	B12	A11	ePerst1#
GND	B13	B25	GND
PETP2	B14	B24	PETP2
PETN2	B15	B23	PETN2
GND	B16	B22/B28	GND
PETP3	B17	B27	PETP3
PETN3	B18	B26	PETN3
GND	B19	B25	GND



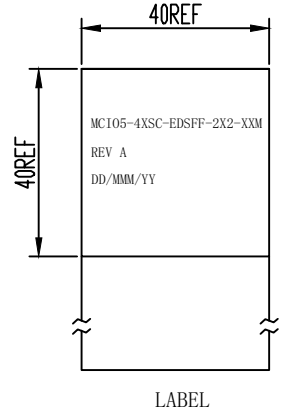
LENGTH P/N TABLE	
SC PART NUMBER	LENGTH1(MM)
MC105-4XSC-EDSFF-2X2-0.5M	500±15
MC105-4XSC-EDSFF-2X2-1M	1000±25

P3	
B1	12V
B2	12V
B3	12V
B4	12V
B5	12V
B6	12V
B7	MFG
B8	RFU
B9	GND
B11	3.3V
B12	PWRDIS
A1	GND
A2	GND
A3	GND
A4	GND
A5	GND
A6	GND
A9	SMBRST#
A10	LED#ACTIVITY
A12	PRSNTO#

NOTE:
The B9 of the P2 terminal must be grounded for dual-port application.
P2端的B9需要接地，实现双端口应用。

TEST CONDITIONS:
1. ELECTRICAL AND MECHANICAL PERFORMANCE SHOULD MEET THE **PCIE GEN5** INDUSTRIAL STANDARD.
2. THE CABLE ASSEMBLY SHALL BE RoHS2.0 COMPLIANT.
3. THE CABLE ASSEMBLY SHALL MEET BELOW IMPEDANCE REQUIREMENT: TERMINATION AREA: 85±15%OHMS, CABLE ABSOLUTE AREA: 85±10% OHMS.

电气特性遵循**PCIE GEN5**工业标准。
该产品通过RoHS2.0认证。
该产品满足下面阻抗特性:接触区域85±15%欧姆,线材为85±10%欧姆。



NO.	NAME	IPT NO.	DESCRIPTION	Q'TY	Q'TY
13	LABEL		LABEL :40*40MM	1	PCS
12	TIE		CABLE TIE:L=100MM	1	PCS
11	Adhesive tape		IERMLENE CLOTH TAPE,T=0.11mm. BLK.	-	MM
10	Network manager		EXPANDO TUBE: OD=7MM, BLACK, VW-1,	-	MM
9	Connector		MC10 STR With shrapnel	1	PCS
8	Connector		SATA15P M PRS LCP BLK	1	PCS
7	External Mould		PVC 45P BLACK	-	KG
6	Internal Mould		PE See through	-	KG
5	PCB		SF4HH1002 88 Euro 4-layer SFF-1002 IC-56PIN PCB	1	PCS
4	CABLE		STYLE20744 80° C 30V 30AWG VW-1	-	MM
3	CABLE		UL1007 24AWG TS-LF-00	-	MM
2	CABLE		UL3302 30AWG 1/0. 254,OD: 0. 55mm,FR-XLPE, VW-1,NO MARKING, HF	-	MM
1	CABLE		SAS 30AWG Silver 85Ω (PA-D0130D30-NX-005 85 Ohm PCIE GEN5)	-	MM

TITLE		MC10 38P to GenZ 1C 56P receptacle w/15P power				SHEET	1/1
CUSTOMER	CUSTOMER P/N	MC105-4XSC-EDSFF-2X2-XXM	DRAWING	<i>Jackyman</i>			
DWG NO.	WIPT20210828002	UNIT	SCALE	REV	VIEW	CHECKED	<i>lupeng</i>
IPT P/N	mm	NONE	A	APPROVAL			