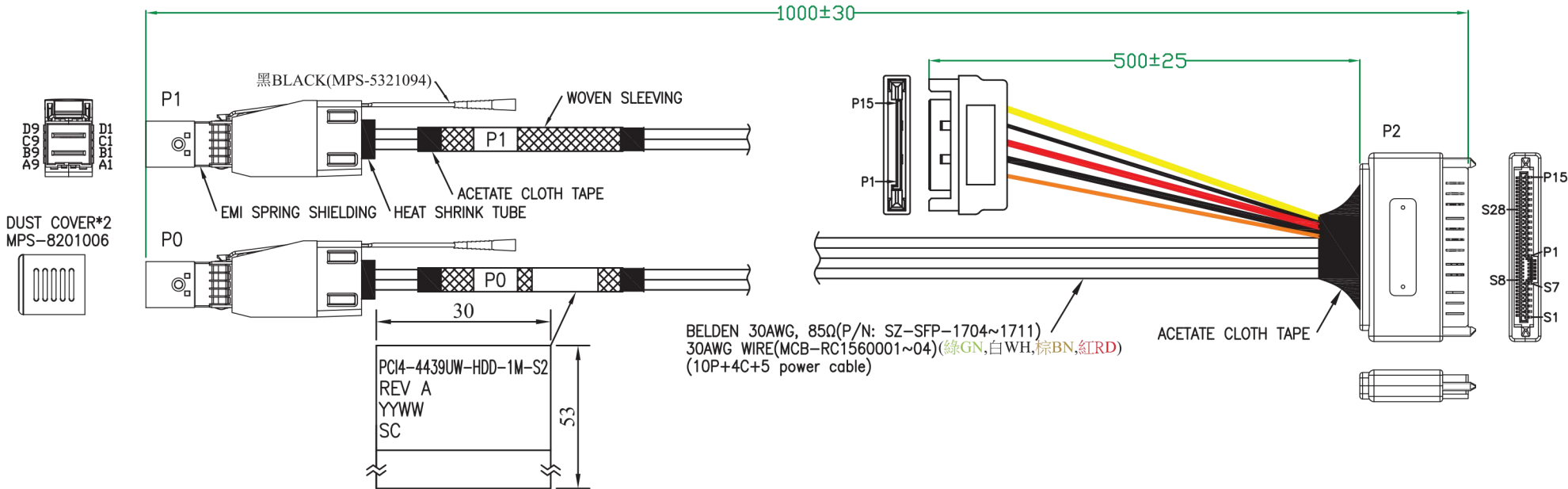


REV.	REMARK	DATE	SIGN.
◇	CHANGE PINOUT	10/14/'20	Sino

RoHS

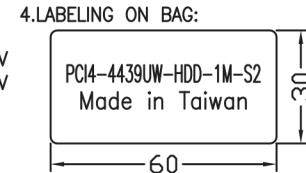


MATERIAL RoHS COMPLIANT:

1.CABLE:
 CONDUCTOR: 30AWG SILVER PLATED COPPER.
 INSULATION: FEP
 DRAIN WIRE: 32AWG TINNED PLATED COPPER.
 SHIELDING TAPE COVERAGE >=100%
 PET TAPE COVERAGE >=100%
 DIFFERENTIAL IMPEDANCE: 85±5 OHMS @TDR
 MARKED ON ENTIRE LENGTH OF THE PAIR
 WITH A 12mm MAX SPACING

2.CONNECTOR:
 P0,P1: SFF-8644 4x CABLE PLUG
 (1) P.C.B: 4 LAYERS, GOLD PLATING ON CONTACT PADS
 (P/N: MPCB-040167LF REV.A / MPCB-040167LF REV.A)
 (2) LATCH: STAINLESS STEEL
 (3) BACKSHELL: ZINC DIE CASTING HOOD/ NICKEL PLATING
 (4) PULL TAB: NYLON UL94V-0, COLOR: BLACK.(MPS-5321094)
 (5) EMI SPRING SHIELDING
 P2: U.2 CONNECTOR.(SFF-8639)
 (1) P.C.B: 4 LAYERS, GOLD PLATING ON CONTACT PADS.(P/N: SPCB-040193K)
 (2) HOUSING: ABS, BLACK.
 (3) WITHOUT EARS NOR SCREWS.

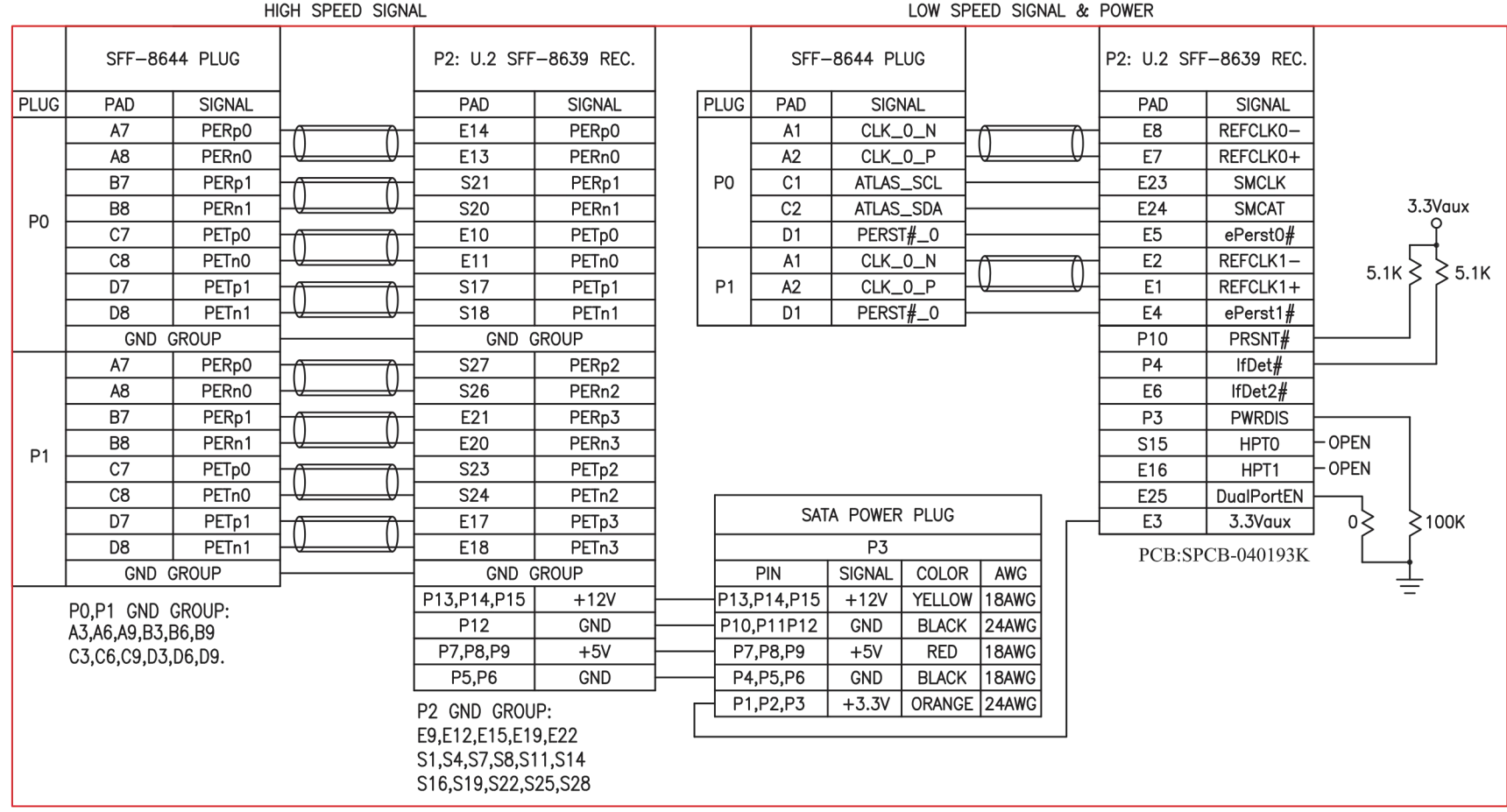
2.CONNECTOR:
 P3: SATA 15P POWER PLUG
 (1) POWER CABLE: UL 1007 18AWG*2 80°C 300V
 (2) POWER CABLE: UL 1007 24AWG*2 80°C 300V
3.FOR PCIe GEN4 16.0 GT/s USE.



DESC.	SFF8644x2 TO U.2 REC. WITH POWER CABLE ASS'Y-GEN4	APPROVED	CHECKED	DESIGNED	TOLERANCE	SCALE	*	UNIT	mm	
P/N	B-7120	CUSTOMER P/N	PC14-4439UW-HDD-1M-S2	LAI	DATE	10/14/'20	DWG NO:	DWG\B\7120		

REV.	REMARK	DATE	SIGN.
◇	CHANGE PINOUT	10/14/'20	Sino

◇ WIRING DIAGRAM BY CUSTOMER-Gen4 ATLAS HIB



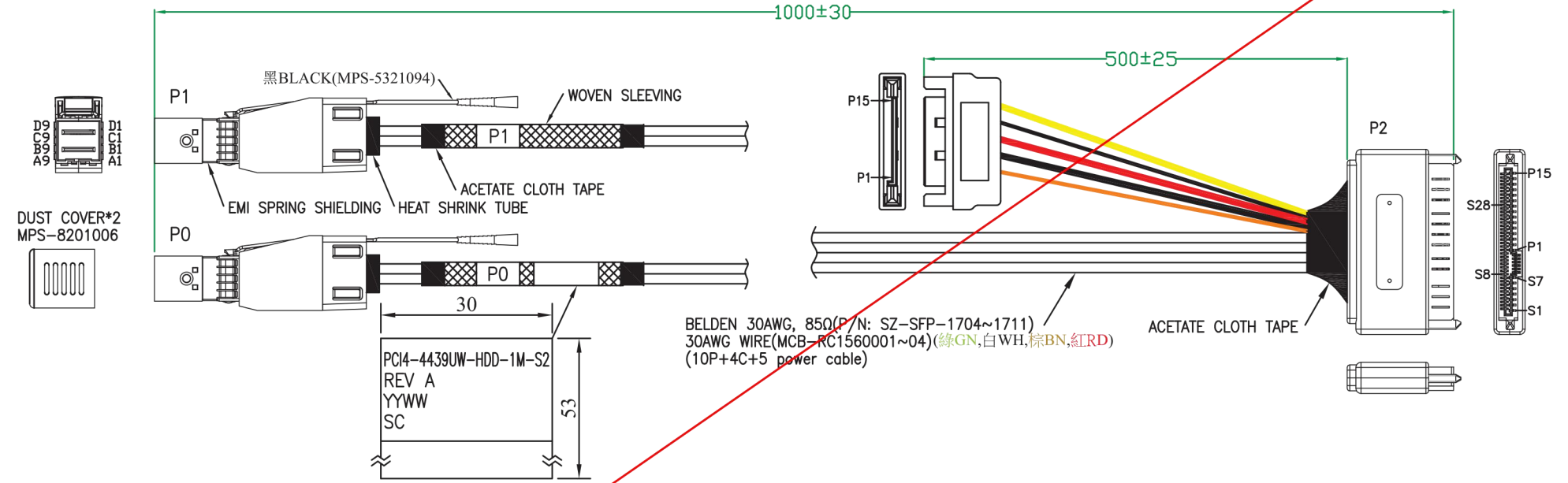
*客製化接點



DESC.	SFF8644x2 TO U.2 REC. WITH POWER CABLE ASS'Y-GEN4	APPROVED	CHECKED	DESIGNED	TOLERANCE	SCALE	*	UNIT	mm	⌀
P/N	B-7120	CUSTOMER P/N	PC14-4439UW-HDD-1M-S2	LAI	DATE	10/14/'20	DWG NO:	DWG\B\7120		

1	2	3	4	5	6	7	8	9
REV.	REMARK			DATE	SIGN.			

RoHS

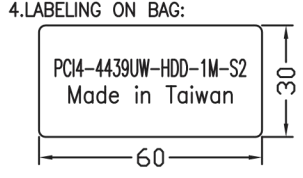


MATERIAL RoHS COMPLIANT:

1.CABLE:
 CONDUCTOR: 30AWG SILVER PLATED COPPER.
 INSULATION: FEP
 DRAIN WIRE: 32AWG TINNED PLATED COPPER.
 SHIELDING TAPE COVERAGE >=100%
 PET TAPE COVERAGE >=100%
 DIFFERENTIAL IMPEDANCE: 85±5 OHMS @TDR
 MARKED ON ENTIRE LENGTH OF THE PAIR
 WITH A 12mm MAX SPACING

2.CONNECTOR:
 P0,P1: SFF-8644 4x CABLE PLUG
 (1) P.C.B: 4 LAYERS, GOLD PLATING ON CONTACT PADS
 (P/N: MPCB-040167LF REV.A / MPCB-040167LF REV.A)
 (2) LATCH: STAINLESS STEEL
 (3) BACKSHELL: ZINC DIE CASTING HOOD/ NICKEL PLATING
 (4) PULL TAB: NYLON UL94V-0, COLOR: BLACK.(MPS-5321094)
 (5) EMI SPRING SHIELDING
 P2: U.2 CONNECTOR.(SFF-8639)
 (1) P.C.B: 4 LAYERS, GOLD PLATING ON CONTACT PADS.(P/N: SPCB-040193K)
 (2) HOUSING: ABS, BLACK.
 (3) WITHOUT EARS NOR SCREWS.

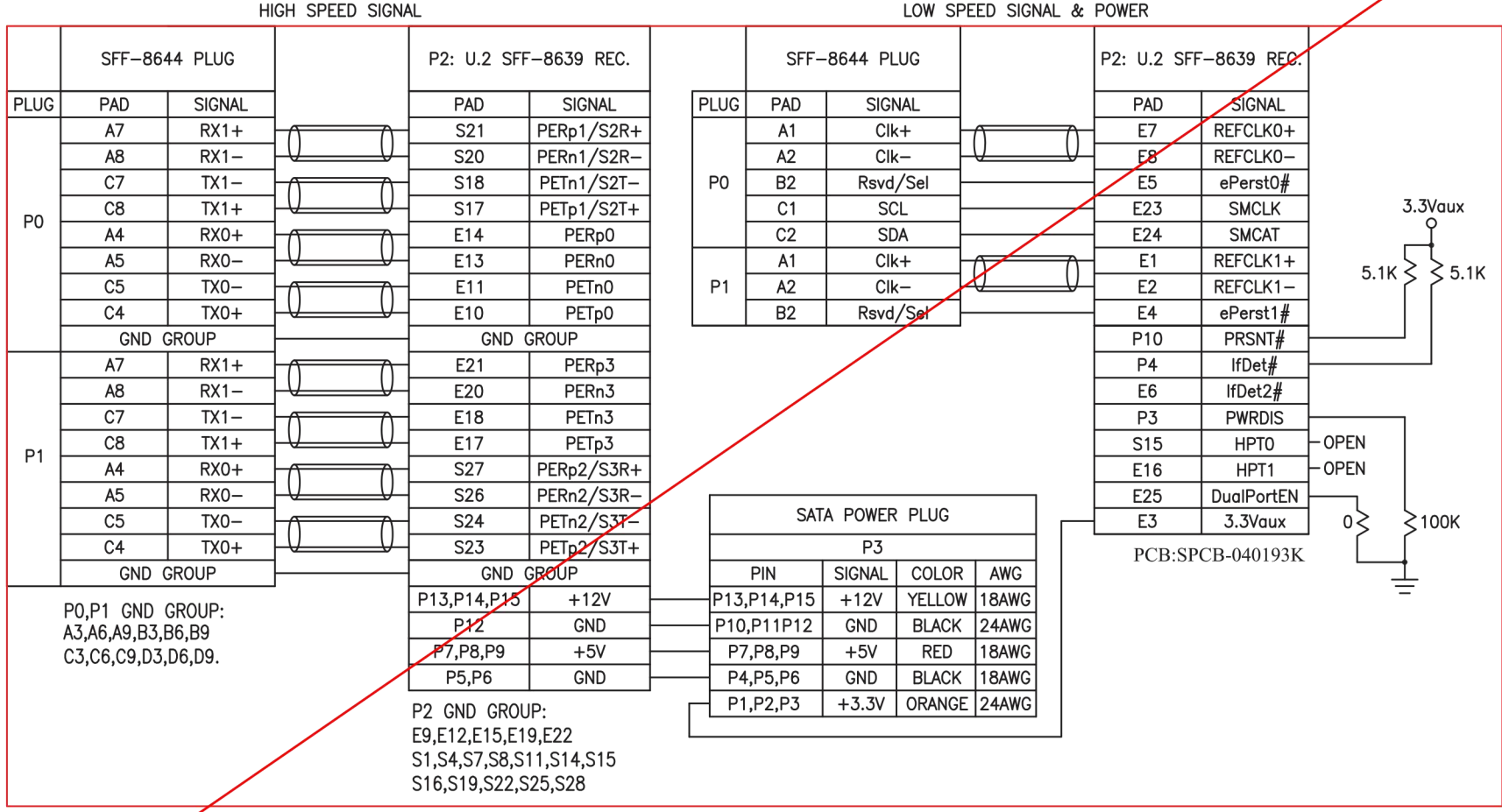
2.CONNECTOR:
 P3: SATA 15P POWER PLUG
 (1) POWER CABLE: UL 1007 18AWG*2 80°C 300V
 (2) POWER CABLE: UL 1007 24AWG*2 80°C 300V
3.FOR PCIe GEN4 16.0 GT/s USE.



DESC.	SFF8644x2 TO U.2 REC. WITH POWER CABLE ASS'Y-GEN4	APPROVED	CHECKED	DESIGNED	TOLERANCE	SCALE	*	UNIT	mm	
P/N	B-7120	CUSTOMER P/N	PC14-4439UW-HDD-1M-S2	LAI		DATE	06/05/'20	DWG NO:	DWG\B\7120	

REV.	REMARK	DATE	SIGN.
------	--------	------	-------

WIRING DIAGRAM BY CUSTOMER



*客製化接點



DESC.	SFF8644x2 TO U.2 REC. WITH POWER CABLE ASS'Y-GEN4	APPROVED	CHECKED	DESIGNED	TOLERANCE	SCALE	*	UNIT	mm	
P/N	B-7120	CUSTOMER P/N	PCIA-4439UW-HDD-1M-S2	LAI		DATE	06/05/'20	DWG NO:	DWG\B\7120	