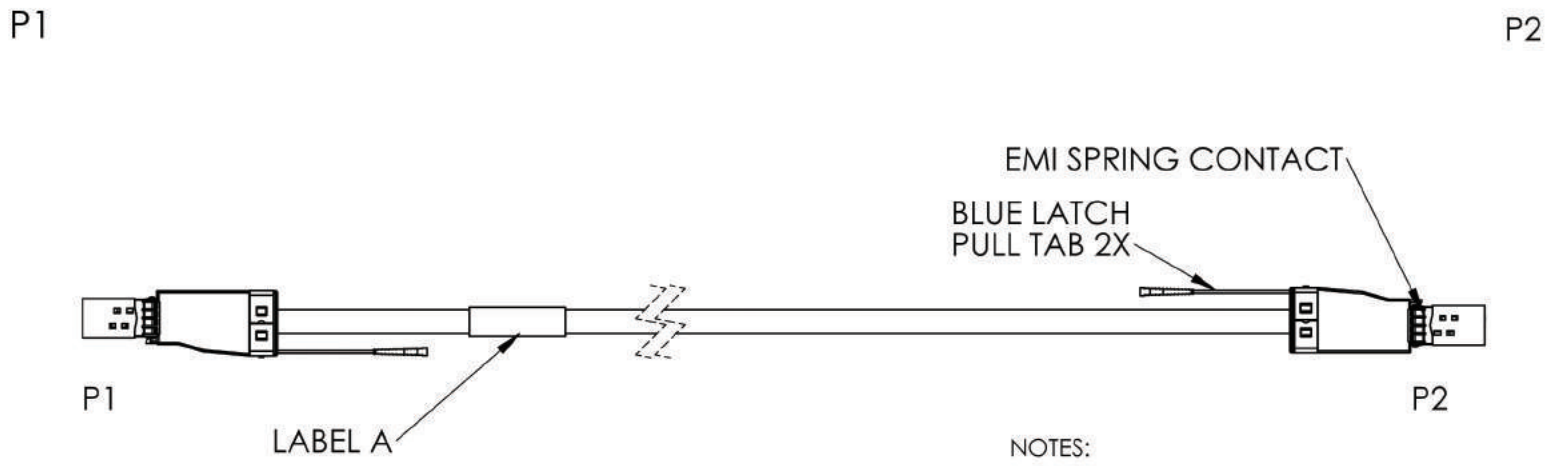
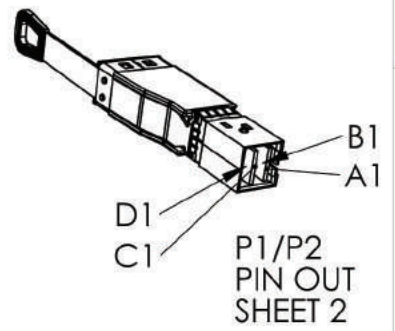


ACTION			INI	NAME	DATE	REVISIONS		
DRAWN				E.DIAZ	05/13/16	REV.	DESCRIPTION	DATE
CHECKED						C	RELEASE	05/13/16
APPROVED								



NOTES:

1. CABLE IS 8 SHIELDED 33 AWG PAIRS (100 OHM). LEONI PARALINK OR MADISON TURBOTWIN.
2. MINI-SAS 3.0 REV.6 12 GBIT DATA RATE MAX.COMPLIANT WITH SFF-8644.
3. EEPROM FOR SYSTEM CONFIGURATION PER SFF8636, SEE SHEET 3.
4. BARCODE WILL CONTAIN SHOP ORDER AND SERIAL OF CABLE.
5. BAG LABEL WILL CONTAIN PART NUMBER, REV, MADE IN MEXICO, AND QUANTITY.

TABLE 1

ITEM NUMBER	"A" O/C LENGTH (mm)	LABEL A
01	300, +/-25 (12 in)	SA-4444L-0.3M-S2 REV C, (BARCODE), MMDDYY, CE

UNLESS OTHERWISE SPECIFIED, DIMENSIONS ARE IN mm. TOLERANCES: X: ± 1. <math>\angle \pm 1^\circ</math>

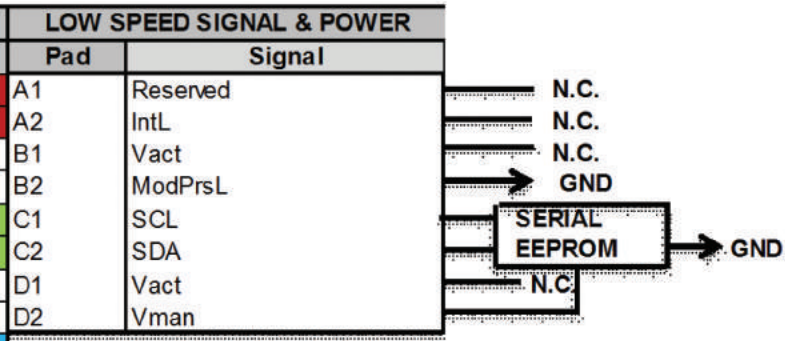


FINISH: 63	TITLE: Mini SAS HD 4x/Mini SAS HD 4x CABLE ASS'Y	
FSCM NO.	SIZE A	DWG NO. SA-4444L-0.3M-S2

## Signal Lanes

## Control PADS

P1		P2		LOW SPEED SIGNAL & POWER	
Pad	Channel		Channel	Pad	Signal
A4	+Rx1		+Tx1	C4	Reserved
A5	-Rx1		-Tx1	C5	IntL
A7	+Rx3		+Tx3	C7	Vact
A8	-Rx3		-Tx3	C8	ModPrsL
B4	+Rx0		+Tx0	D4	SCL
B5	-Rx0		-Tx0	D5	SDA
B7	+Rx2		+Tx2	D7	Vact
B8	-Rx2		-Tx2	D8	Vman
C4	+Tx1		+Rx1	A4	
C5	-Tx1		-Rx1	A5	
C7	+Tx3		+Rx3	A7	
C8	-Tx3		-Rx3	A8	
D4	+Tx0		+Rx0	B4	
D5	-Tx0		-Rx0	B5	
D7	+Tx2		+Rx2	B7	
D8	-Tx2		-Rx2	B8	
CASE GND		CASE GND			
GND GROUP 1: P1 - A3, A6, A9, B3, B6, B9, P2 - C3, C6, C9, D3, D6, D9					
GND GROUP 2: P1 - C3, C6, C9, D3, D6, D9, P2 - A3, A6, A9, B3, B6, B9					
Connector Shell		Connector Shell			



UNLESS OTHERWISE SPECIFIED,  
DIMENSIONS ARE IN mm.  
TOLERANCES: X:  $\pm 1$ ,  
 $\angle \pm 1^\circ$

FINISH: 63

FSCM NO.



TITLE:

Mini SAS HD 4x/Mini SAS HD 4x CABLE ASS'Y

SIZE A


DWG NO.

SA-4444L-0.3M-S2

	0	1	2	3	4	5	6	7	8	9	A	B	C	D	E	F	
0	0F	00	04	00	00	00	00	00	00	00	00	00	00	00	00	00	
1	00	00	00	00	00	00	00	00	00	00	00	00	00	00	00	00	
2	00	00	00	00	00	00	00	00	00	00	00	00	00	00	00	00	
3	00	00	00	00	00	00	00	00	00	00	00	00	00	00	00	00	
4	00	00	00	00	00	00	00	00	00	00	00	00	00	00	00	00	
5	00	00	00	00	00	00	00	00	00	00	00	00	00	00	00	00	
6	00	00	00	00	00	00	00	00	00	00	00	00	00	00	38	00	
7	00	00	0	00	00	00	00	00	00	00	00	00	00	00	00	00	
8	0F	00	21	00	00	70	00	00	00	00	00	00	78	00	00	00	
9	00	00	01	A0	53	43	20	20	20	20	20	20	20	20	20	20	
A	20	20	20	20	00	00	00	00	53	41	2D	34	34	34	34	4C	
B	2D	30	2E	33	4D	2D	53	32	43	20	@2.5G	@5.0G	00	00	46	chk01	
C	00	00	00	00	←							vendor	SN				
D	→				date		code		→			20	20	00	00	00	chk02
E	00	00	00	00	00	00	00	00	00	00	00	00	00	00	00	00	
F	00	00	00	00	00	00	00	00	00	00	00	00	00	00	00	00	

SUM of 80~BE  
SUM of C0~DE

1. Length: 01 = 0.3meter
2. vendor name: SC
3. vendor PN:SA-4444L-0.3M-S2
4. chk01: low order 8 bits of the sum of the contents of all the bytes from byte 80h to byte BEh, inclusive
5. vendor SN: 16 bytes ASCII characters, left aligned and padded on the right with ASCII spaces (20h)
6. date code: 6 bytes ASII characters, in the format of YYMMDD.
7. chk02: low order 8 bits of the sum of the contents of all the bytes from byte C0h to byte DEh, inclusive
8. attenuation: 0xh=xxdB at 2.5GHz, 0xh=xxdb at 5.0GHz

UNLESS OTHERWISE SPECIFIED, DIMENSIONS ARE IN mm. TOLERANCES: X. ± 1. ∠ ± 1°		
	FINISH: 63	SIZE A