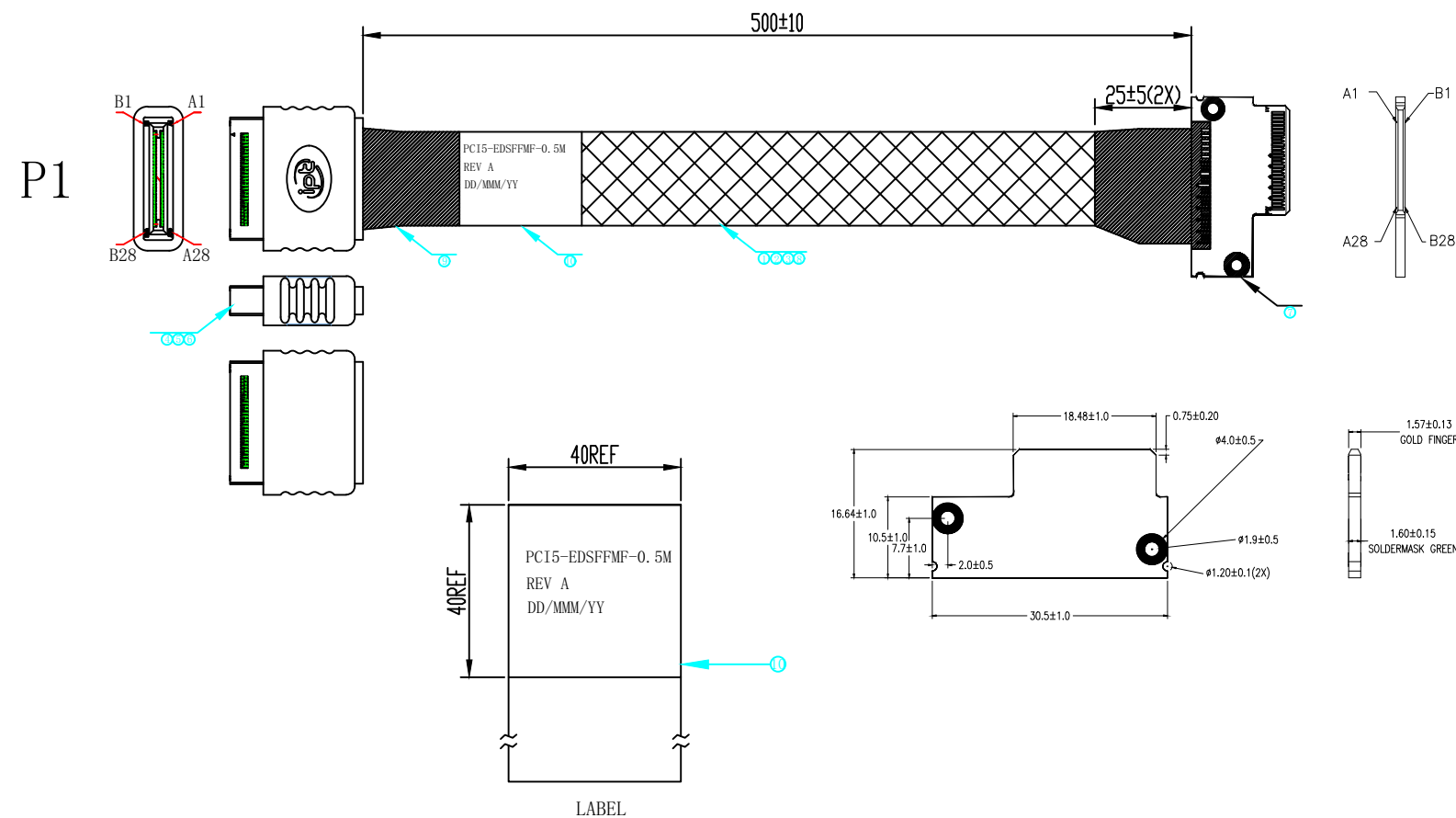


5	6	7	8
DATE	DESCRIPTION OF CHANGE		REV
2021-08-06	XXXXXXXXX		A

NOTE:
 1.THE CABLE ASSEMBLY SHOULD BE RoHS2.0 COMPLIANT.
 2.ELECTRICAL PERFORMANCE SHOULD MEET THE **PCIE GEN5** CABLE SPEC,
 3.THE CABLE ASSEMBLY SHALL MEET BELOW IMPEDANCE REQUIREMENT: TERMINATION AREA: 85±15% OHMS,
 CABLE ABSOLUTE AREA: 85±10% OHMS.

WIRE DIAGRAM

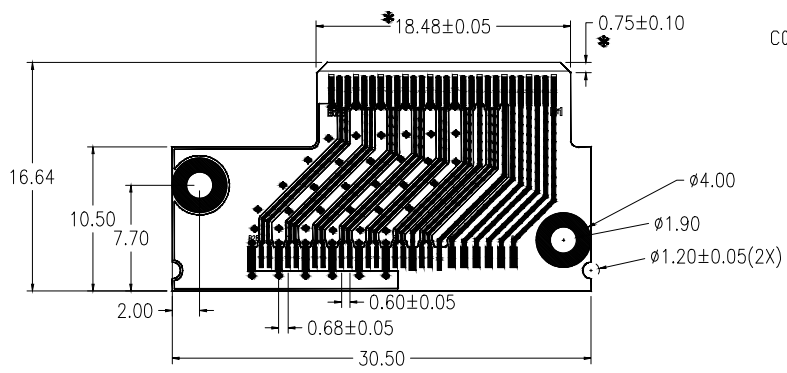
P1		P2		
GND	B28	GND	B28	
PETp3	B27	PETp3	B27	
PETn3	B26	PETn3	B26	
GND	B25	GND	B25	
PETp2	B24	PETp2	B24	
PETn2	B23	PETn2	B23	
GND	B22	GND	B22	
PETp1	B21	PETp1	B21	
PETn1	B20	PETn1	B20	
GND	B19	GND	B19	
PETp0	B18	PETp0	B18	
PETn0	B17	PETn0	B17	
GND	B16	GND	B16	
REFCLKp0	B15	REFCLKp0	B15	
REFCLKn0	B14	REFCLKn0	B14	
GND	B13	GND	B13	
PWRDIS	B12	30AWG 电子线	PWRDIS	B12
3_3 VAux	B11	30AWG 电子线	3_3 VAux	B11
PERSTO#	B10	30AWG 电子线	PERSTO#	B10
DUALPORTEN#	B9	30AWG 电子线	DUALPORTEN#	B9
RFU	B8	30AWG 电子线	RFU	B8
MFG	B7	30AWG 电子线	MFG	B7
12 V	B6	28AWG 电子线	12 V	B6
12 V	B5	28AWG 电子线	12 V	B5
12 V	B4	28AWG 电子线	12 V	B4
12 V	B3	28AWG 电子线	12 V	B3
12 V	B2	28AWG 电子线	12 V	B2
12 V	B1	28AWG 电子线	12 V	B1
GND	A28	GND	A28	
PERp3	A27	PERp3	A27	
PERn3	A26	PERn3	A26	
GND	A25	GND	A25	
PERp2	A24	PERp2	A24	
PERn2	A23	PERn2	A23	
GND	A22	GND	A22	
PERp1	A21	PERp1	A21	
PERn1	A20	PERn1	A20	
GND	A19	GND	A19	
PERp0	A18	PERp0	A18	
PERn0	A17	PERn0	A17	
GND	A16	GND	A16	
REFCLKp1	A15	REFCLKp1	A15	
REFCLKn1	A14	REFCLKn1	A14	
GND	A13	GND	A13	
PRSNTO#	A12	30AWG 电子线	PRSNTO#	A12
PERST1#/CLKREQ#	A11	30AWG 电子线	PERST1#/CLKREQ#	A11
LED#/ACTIVITY	A10	30AWG 电子线	LED#/ACTIVITY	A10
SMBRST#	A9	30AWG 电子线	SMBRST#	A9
SMBDAT	A8	30AWG 电子线	SMBDAT	A8
SMBCLK	A7	28AWG 电子线	SMBCLK	A7
GND	A6	28AWG 电子线	GND	A6
GND	A5	28AWG 电子线	GND	A5
GND	A4	28AWG 电子线	GND	A4
GND	A3	28AWG 电子线	GND	A3
GND	A2	28AWG 电子线	GND	A2
GND	A1	28AWG 电子线	GND	A1



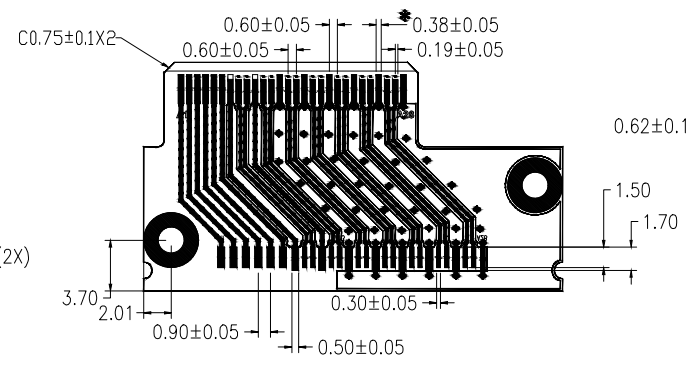
NO.	NAME	IPT NO.	DESCRIPTION	Q'TY	Q'TY
⑩	LABEL		LABEL : 40*40MM	1	PCS
⑨	Adhesive tape		IERMLENE CLOTH TAPE, T=0.11mm. BLK.	-	MM
⑧	Network manager		EXPANDO TUBE: OD=7MM, BLACK, VW-1,	-	MM
⑦	PCB		GENZ 1C PCB	1	PCS
⑥	External Mould		PVC 45P BLACK	-	G
⑤	Internal Mold		PE SEE through	-	G
④	PCB		SF4HH1002 88 Euro 4-layer SFF-1002 1C-56PIN PCB	1	PCS
③	WIRE		UL1061 28AWG TS-LF-00	-	MM
②	WIRE		UL1061 30AWG TS-LF-00	-	MM
①	CABLE		SAS 30AWG Silver 85Ω (PA-D0130D30-NX-005 85 Ohm PCIE GEN5)	-	MM

serial CABLES		TITLE				GenZ 1C FEMALE PLUG TO 1C STR PLUG CABLE		SHEET		1/2	
CUSTOMER		CUSTOMER P/N		PCI5-EDSFFMF-0.5M		DRAWING					
DWG NO.		UNIT		SCALE		REV					
IPT P/N		mm		NONE		A				APPROVAL	

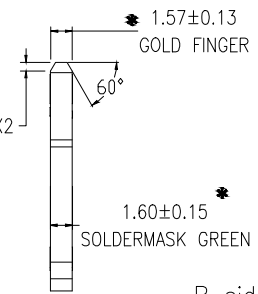
5	6	7	8
DATE	DESCRIPTION OF CHANGE		REV
2021-08-06	XXXXXXXXX		A



Top Side



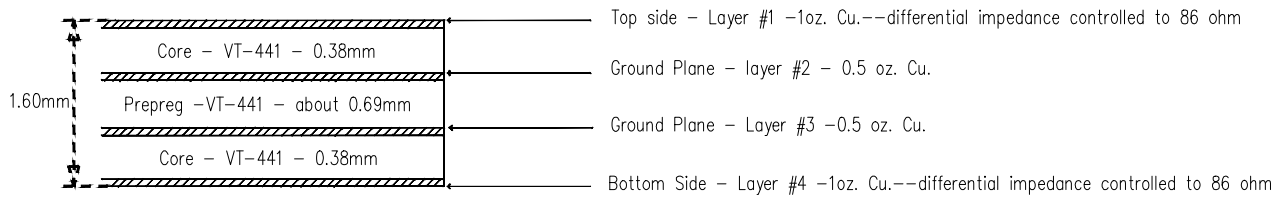
Bottom Side



B side		A side	
GND	B28	GND	A28
PETp3	B27	PERp3	A27
PETn3	B26	PERn3	A26
GND	B25	GND	A25
PETp2	B24	PERp2	A24
PETn2	B23	PERn2	A23
GND	B22	GND	A22
PETp1	B21	PERp1	A21
PETn1	B20	PERn1	A20
GND	B19	GND	A19
PETp0	B18	PERp0	A18
PETn0	B17	PERn0	A17
GND	B16	GND	A16
REFCLKp0	B15	REFCLKp1	A15
REFCLKn0	B14	REFCLKn1	A14
GND	B13	GND	A13
PWRDIS	B12	PRSENT0#	A12
3.3 VAux	B11	PERST1#/CLKREQ#	A11
PERST0#	B10	LED#/ACTIVITY	A10
DUALPORTEN#	B9	SMBRST#	A9
RFU	B8	SMBDAT	A8
MFG	B7	SMBCLK	A7
12 V-6	B6	GND6	A6
12 V-5	B5	GND5	A5
12 V-4	B4	GND4	A4
12 V-3	B3	GND3	A3
12 V-2	B2	GND2	A2
12 V-1	B1	GND1	A1



螺丝孔不需要接地



- NOTES:
- 1.GOLDEN FINGER 30u HARD GOLD OVER 150u NICKL, NO RUNNER TABS ALLOWED ON THE GOLD FINGERS.
 - 2.BOARD MARERIAL SHOULD BE VT441 OR EQUAL MATERIAL.
 - 3.NO ETCHED MARKINGS ALLOWED SCREEN LOGOS ECT ONLY ON SOLDER MASK.
 - 4.DIFFERENTIAL IMPEDANCE: MATING 85±15% TRACE 86±8 OHM WITH RT 23PS.
 - 5.ENVIRONMENT TEST CONDITIONS ARE 40 +/-3 CENTIGRADE DEGREE AT 93+/-5%RH FOR TWO WEEKS(14DAYS). UNDER 20X MAGNIFICATION,NO CORROSION ON GOLD FINGER.
 - 6.*" IS CRITICAL DIMENSION.
- 金手指要求四面包金工艺: Sideband不接地

TITLE	GenZ 1C FEMALE PLUG TO 1C STR PLUG CABLE					SHEET	2/2
CUSTOMER	CUSTOMER P/N		PC15-EDSFFMF-0.5M	DRAWING	<i>lupeng</i>		
DWG NO.	WIPT20210806001	UNIT	SCALE	REV	VIEW	CHECKED	<i>lupeng</i>
IPT P/N		mm	NONE	A		APPROVAL	